

HSF

NOTES:

Rated Current:10.0AMP.(20°C,1*2P-1*10P)
 7.0AMP.(20°C,1*11P-1*20P) $\triangle A3$
 Contact Resistance:20m Ω Max.
 Withstand Voltage:1000V AC/DC
 Insulation Resistance:1000M Ω Min.
 Operation Temperature:-40°C to +125°C(Gold Plating) $\triangle A3$
 -40°C to +105°C(Tin Plating) $\triangle A3$

Contact Material:Copper Alloy
 Contact Plating:Au or Sn Over 30u" Min Ni $\triangle A3$
 Insulator Material:LCP+G.F UL94V-0 BK $\triangle A3$

Ordering Information

1925-2 1 XX XX M XXX D T XX $\triangle A3$

Plastic Layer
 Plastic Row
 No.of Pins
 Per Row:02-20
 Contact Plating
 G0=Gold Flash
 G3=10u"Au, BG3=8u"PdNi+2u"Au
 G4=15u"Au, BG4=13u"PdNi+2u"Au
 G5=30u"Au, BG5=28u"PdNi+2u"Au
 SN=Bright Tin
 SM=Matte Tin

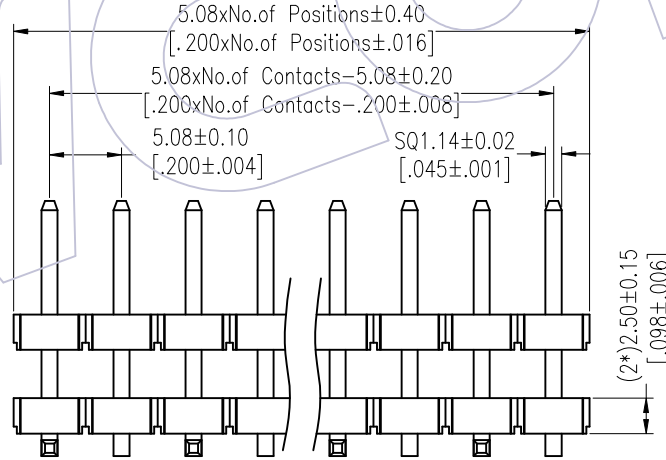
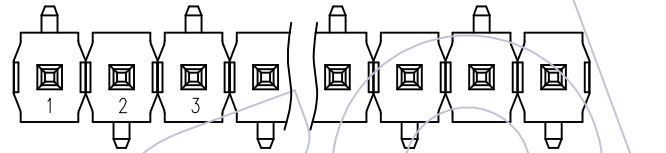
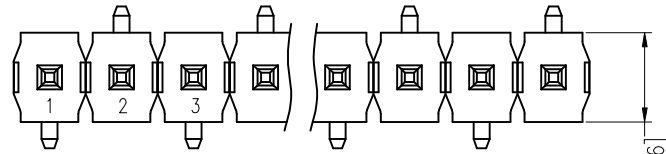
Series No.
 01-99
 Packing
 T=Tube

Insulator Material
 D=LCP

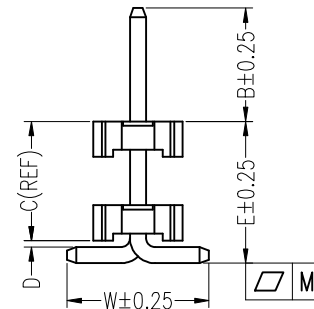
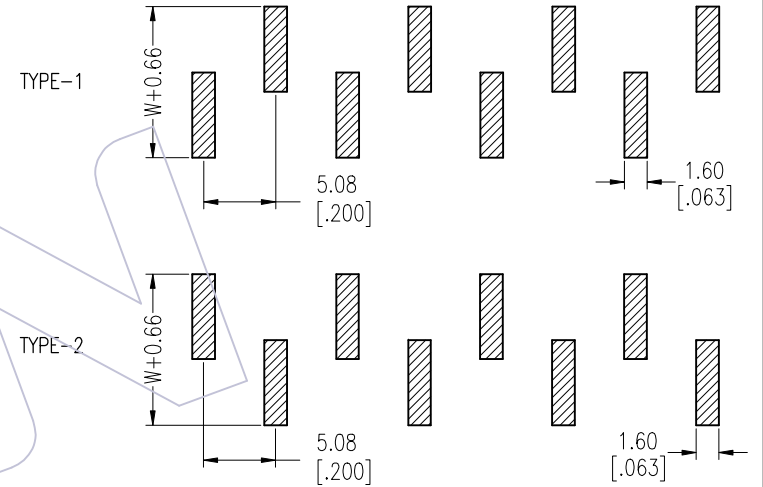
Pin Length
 L(See Table)
 Type:
 M=SMT

Item	Pin Length	W	C	D	E	B	Mating
Standard	19.8	10.0	6.35	0.45	7.94	8.0	2989
	21.8	10.0	7.4	1.4	9.94	8.0	2989
Alternate							

PIN(PerRow)	2-10P	11-20P
M	0.12	0.20



Recommended P.C.B Layout (Top Side) (PCB BOARD TOLERANCE±0.05) (PCB Thickness:T=1.60m)



REV	DATE	MODIFICATION DESCRIPTION	CHANGE	DIM	TOL	APPROVE	DATE	PROJ.	SCALE	Fit	PART NO.	TITLE:
A3	2025/10/08	Standardization Drawing	CP			DRAW	2025/10/08		UNIT	mm [inch]	1925-21XXXXMXXDXXX $\triangle A3$	WCON-Dongguan Tel: +86 769 85358920 Fax: +86 769 85358915 E-mail: sales@wcon.com
A2	2023/02/04	Add Flatness	William Chen	x.X	±0.40	CP	2025/10/08		SIZE	A4	1925-21XXXXMXXDXXX $\triangle A3$	WCON-Kunshan Tel: +86 512 57468408 Fax: +86 512 57468408 E-mail: sales@wcon.com
A1	2018/01/26	MODIFY PART NO.	William Chen	x.xx	±0.25	CHECK	2025/10/08		SHEET	1/3	5.08 Pin Header, SINGLE ROW, SMT, DOUBLE PLASTIC, H=2.5	
A0	2012/07/03	NEW	JYHuang	x.xxx	±0.15	TANG	2025/10/08		PROJ.		Customer NO.	
				Angle	± 3'	APPROVE	2025/10/08					
						Steven Zhao						

WCON

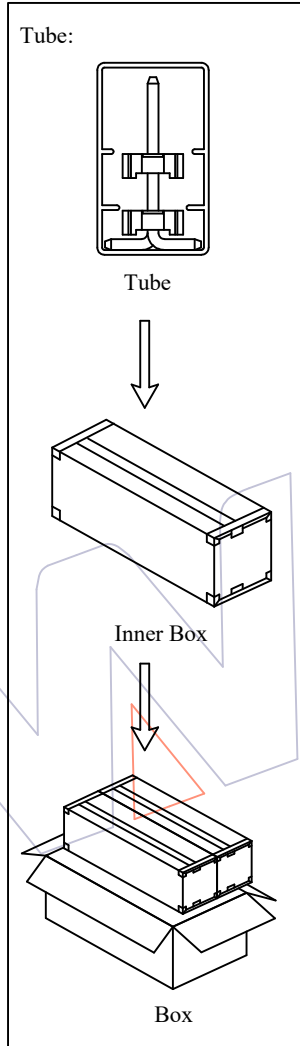
Http: www.wcon.com

WCON-Dongguan
Tel: +86 769 85358920
Fax: +86 769 85358915
E-mail: sales@wcon.com

WCON-Kunshan
Tel: +86 512 57468408
Fax: +86 512 57468408
E-mail: sales@wcon.com

HSF

Packing:



Packaging Quantity Refers To The Following Table

PINS	Q' ty/Tube	Q' ty/Inner Box	Q' ty/Box
2	30		1,440
3	20		960
4	27	1,944	3,888
5	22	1,584	3,168
6	18	1,296	2,592
7	16	1,152	2,304
8	14	1,008	2,016
9	12	864	1,728
10	11	792	1,584
11	10	720	1,440
12	9	648	1,296
13	8	576	1,152
14	8	576	1,152
15	7	504	1,008
16	7	504	1,008
17	6	432	864
18	6	432	864
19	5	360	720
20	5	360	720

A3	2025/10/08	Standardization Drawing	CP	OPERATION	DRAW	DATE	SCALE	Fit	PART NO.
A2	2023/02/04	Add Flatness	William Chen	x.X ±0.40	CP	2025/10/08	UNIT	mm [inch]	1925-21XXXXMXXDXXX
A1	2018/01/26	MODIFY PART NO.	William Chen	x.XX ±0.25	CHECK	DATE	SIZE	A4	TITLE:
A0	2012/07/03	NEW	JYHuang	x.XXX ±0.15	TANG	2025/10/08	SHEET	2/3	5.08 Pin Header, SINGLE ROW, SMT, DOUBLE PLASTIC, H=2.5
REV	DATE	MODIFICATION DESCRIPTION	CHANGE	Angle ± 3'	APPROVE	DATE	PROJ.	Customer NO.	
				DIM TOL	Steven Zhao	2025/10/08			

WCON
 Http: www.wcon.com

WCON-Dongguan Tel: +86 769 85358920
 Fax: +86 769 85358915
 E-mail: sales@wcon.com

WCON-Kunshan Tel: +86 512 57468408
 Fax: +86 512 57468468
 E-mail: salesks@wcon.com