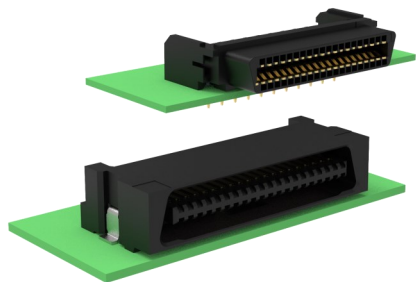


6320D&6321D Series

1.27mm pitch board-to-board connector



Features and Benefits

- Pins can reach up to 120 positions
- Male-female connectors feature alignment guides to Anti-misplug structure
- Spear-shaped design enhances retention during soldering onto PCBs

Product Applications

- Industrial: Automation equipment, servo motors
- Smart Home: Printers, vending machines

Standard 标准

- EIA 364

Material 材料

Part/零件	Material/材料	Finish/电镀	UL Flame retardant/阻燃等级
Header Plug/板端公座	PBT	Black/黑色	UL94V-0
Header Socket/板端母座	PBT	Black/黑色	UL94V-0
Terminal/端子	Copper Alloy/铜合金	Gold-plated/镀金 Tin-plated/镀锡	-

6320D&6321D 系列

1.27mm间距 板到板连接器

Overview

The 1.27mm pitch 6320D & 6321D series products are high-density, high-performance, vibration-resistant board-to-board connectors that provide stable signal transmission for equipment. They support both horizontal and vertical mounting options, accommodating customer requirements for mating at various angles.

概述

1.27mm间距6320D&6321D系列产品是一款高密度、高性能、抗振动，为设备提供稳定的信号传输板到板连接器，且提供水平及垂直方向贴板安装，满足客户不同角度对插适配。

产品特点

- 针脚最高可达120位
- 公母对接有导向设计，可防止错插
- 鱼叉设计，增强焊接在PCB板上的保持力

应用领域

- 工业：自动化设备、伺服电机
- 智能家居：打印机、售卖机

Production Specifications 产品规格

Current rating 额定电流	0.50 A	Operating temperature Range:-40° C~+105° C (including temperature rise) Operating Humidity Range:20-80%	Storage temperature: Humidity: 储存温度: 25±5° C 储存湿度: ≤60%
Voltage rating 额定电压	250V/AC	工作温度范围: -40° C~+105° C(含温升) 工作湿度范围: 20-80%	

Item 项目	Condition 条件	Specification 规格
Insulation Resistance 绝缘电阻	Measured at 500V DC for 1 minute 测试电压: 500V DC/1分钟	No less than 500MΩ 不少于500MΩ
Withstanding voltage 耐电压	Measured at 500V AC for 1 minute 测试电压: 500V AC/1分钟	No breakdown, no discharge, leakage current <0.5mA 无击穿、无放电、漏电流<0.5mA
Contact Resistance 接触电阻	Measured at 100mA and no higher than 20mV DC 在100mA下测量, 用20 mV DC进行测量	Contact resistance: Initial value/ 35mΩ max After environmental tests/ 45 mΩ max. 接触电阻: 初始值 35 mΩ 以下 测试后 45 mΩ 以下
Vibration Resistance 抗振动	Frequency : 50 ~ 2000 Hz PSD value : 5.35Gms minimum Duration : 15 minutes/axis Times : Each of three mutually perpendicular planes. 频率:50~2000Hz PSD 值:5.35Gms minimum 时长:15分钟/轴 次数:三个相互垂直的平面中的每一个	No electrical discontinuity of 1μs or greater 试验过程中未发生1μs瞬断现象, 且外观无损伤, 电气性能正常
Temperature life 高温老化	Temperature温度:105°C Duration时间:96H	Contact resistance: Initial value/ 35 mΩ max After environmental tests/ 45 mΩ max. 接触电阻: 初始值 35 mΩ 以下 测试后 45 mΩ 以下
Salt Spray 盐雾	Temperature:35± 2°C Solution concentration : 5%NaCl PHValue : 6.5 ~ 7.2 Duration : 24hours 温度: 35±2° C 溶液浓度: 5%NaCl PH值: 6.5~7.2 时间: 24小时	Contact resistance: Initial value/ 35 mΩ max After environmental tests/ 45 mΩ max. No evidence of damage. 接触电阻: 初始值 35 mΩ 以下 测试后 45 mΩ 以下
Durability(Mating/un-mating) 插拔寿命	100 cycles 循环100次	Contact resistance: Initial value/ 35 mΩ max After environmental tests/ 45 mΩ max. 接触电阻: 初始值 35 mΩ 以下 测试后 45 mΩ 以下

6320D&6321D Series

Mating Height Chart 配合高度一览表

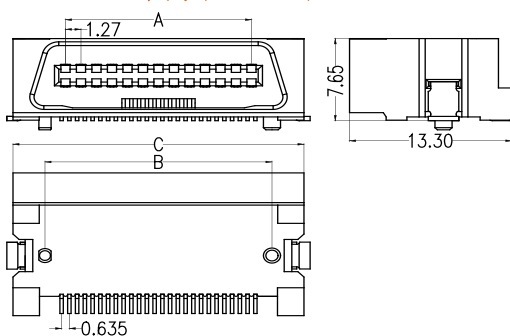
Assembly (6321D&6320D)	6321D-XXXSDXXPXX01	6321D-XXXRDXXPXX01
<div style="display: flex; justify-content: space-around;"> <div style="text-align: center;">Female</div> <div style="text-align: center;">Male</div> </div>		
6320D-XXXSDSXPXT01 		
6320D-XXXRDSXPXT0X 		
6320D-XXXRZXPWX01 		

Order Information 订购信息

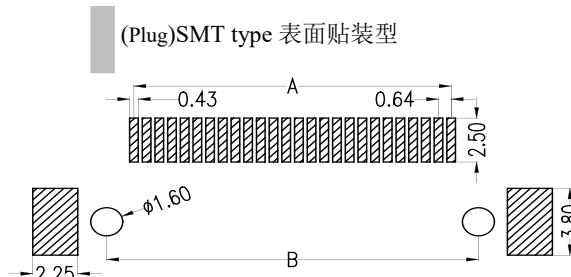
Circuit 芯数	Part number 型号	Plating 电镀	Dimensions 尺寸 (mm)			Parkage 包装 Q'ty/Reel 只/卷装	Remake 可量产状态
			A	B	C		
20	6320D-020RZSXPWR01	SX: S1=3U"Gold/Tin S2=5U"Gold/Tin	11.43	14.79	20.03	350	
26	6320D-020RZSXPWR01		15.24	18.60	23.84	350	*
30	6320D-020RZSXPWR01		17.78	21.14	26.38	350	
34	6320D-020RZSXPWR01		20.32	23.68	28.92	350	
40	6320D-020RZSXPWR01		24.13	27.49	32.73	350	*
50	6320D-020RZSXPWR01		30.48	33.84	39.08	350	
60	6320D-020RZSXPWR01		36.83	40.19	45.43	350	
68	6320D-020RZSXPWR01		41.91	45.27	50.51	350	

Note: * stands for mass production. 注: *代表可量产

Dimensions 尺寸 (R/A SMT)



PCB Layout 印刷电路板布局

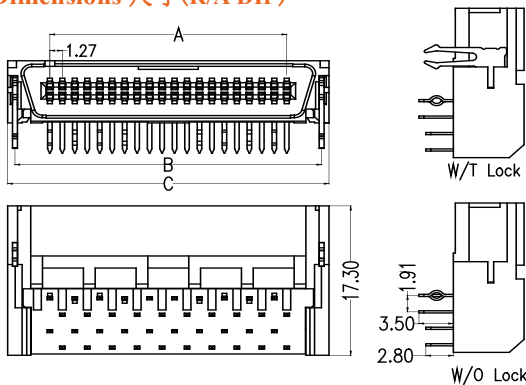


Order Information 订购信息

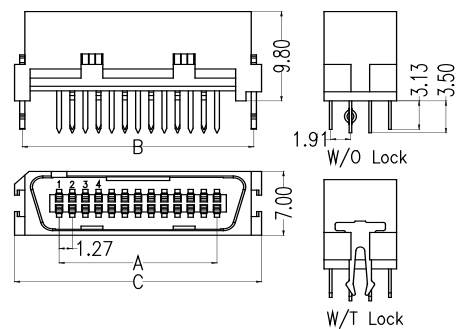
Circuit 芯数	Part number 型号				Plating 电镀	Dimensions 尺寸 (mm)			Package 包装 Qty/Tube 只/管装	Remake 可量产 状态	
	R/A DIP		S/T DIP			A	B	C		R/A	S/T
	W/T LOCK	W/O LOCK	W/T LOCK	W/O LOCK							
20	6320D-020RDSXPWT01	6320D-020RDSXPNT01	6320D-020SDSXPWT01	6320D-020SDSXPNT01	SX: S1=3U" Gold/Tin S2=5U" Gold/Tin	11.43	18.54	20.03	28	*	*
26	6320D-026RDSXPWT01	6320D-026RDSXPNT01	6320D-026SDSXPWT01	6320D-026SDSXPNT01		15.24	22.35	23.84	24	*	*
30	6320D-030RDSXPWT01	6320D-030RDSXPNT01	6320D-030SDSXPWT01	6320D-030SDSXPNT01		17.78	24.89	26.38	21	*	*
34	6320D-034RDSXPWT01	6320D-034RDSXPNT01	6320D-034SDSXPWT01	6320D-034SDSXPNT01		20.32	27.43	28.92	20	*	
40	6320D-040RDSXPWT01	6320D-040RDSXPNT01	6320D-040SDSXPWT01	6320D-040SDSXPNT01		24.13	31.24	32.73	17	*	*
50	6320D-050RDSXPWT01	6320D-050RDSXPNT01	6320D-050SDSXPWT01	6320D-050SDSXPNT01		30.48	37.59	39.08	14	*	*
60	6320D-060RDSXPWT01	6320D-060RDSXPNT01	6320D-060SDSXPWT01	6320D-060SDSXPNT01		36.83	43.94	45.43	12	*	
68	6320D-068RDSXPWT01	6320D-068RDSXPNT01	6320D-068SDSXPWT01	6320D-068SDSXPNT01		41.91	49.02	50.51	11	*	*
80	6320D-080RDSXPWT01	6320D-080RDSXPNT01	6320D-080SDSXPWT01	6320D-080SDSXPNT01		49.53	56.64	58.13	9		
100	6320D-100RDSXPWT01	6320D-100RDSXPNT01	6320D-100SDSXPWT01	6320D-100SDSXPNT01		62.23	69.34	70.83	8		
120	6320D-120RDSXPWT01	6320D-120RDSXPNT01	6320D-120SDSXPWT01	6320D-120SDSXPNT01		74.93	82.04	85.53	6		*

Note: * stands for mass production . 注: *代表可量产

Dimensions 尺寸(R/A DIP)

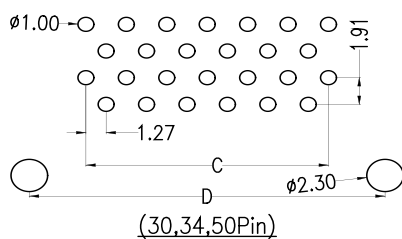
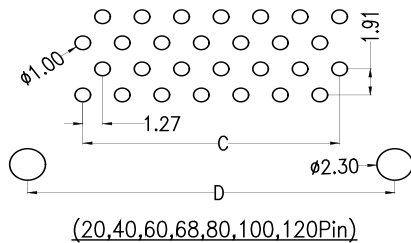


Dimensions 尺寸(S/T DIP)



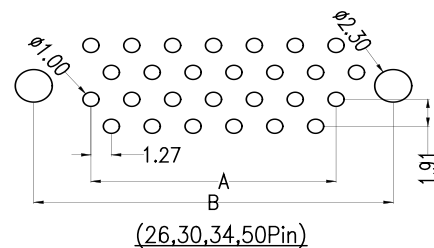
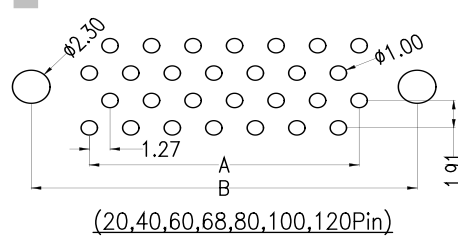
PCB Layout 印刷电路板布局

(Plug)Through-hole type 通孔型 (R/A)



PCB Layout 印刷电路板布局

(Plug)Through-hole type 通孔型 (S/T)



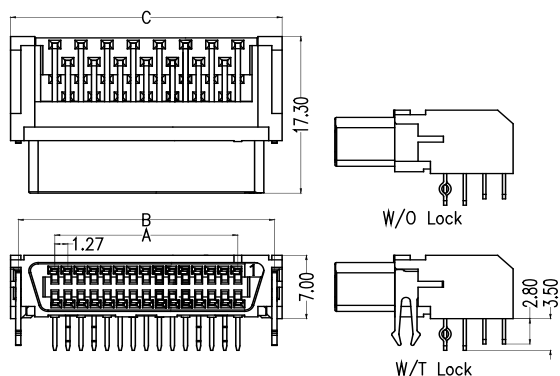
6320D&6321D Series

Order Information 订购信息

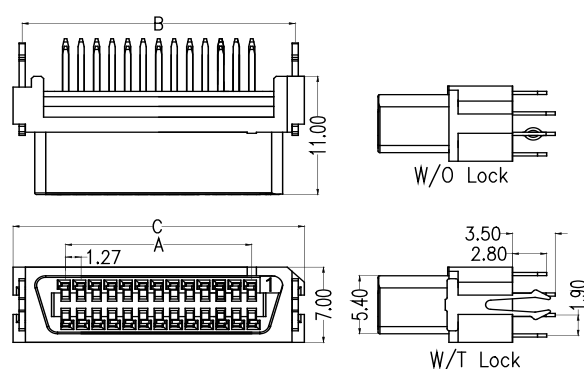
Circuit 芯数	Part number 型号				Plating 电镀	Dimensions 尺寸 (mm)			Package 包装 Q'ty/Tube 只/管装		Remake 可量产 状态
	R/A DIP		S/T DIP			A	B	C	R/A	S/T	
	W/T LOCK	W/O LOCK	W/T LOCK	W/O LOCK							
20	6321D-020RDXPWT01	6321D-020RDXPNT01	6321D-020SDSXPWT01	6321D-020SDSXPNT01	SX: S1=3U" Gold/Tin S2=5U" Gold/Tin	11.43	18.54	20.03	28	28	*
26	6321D-026RDXPWT01	6321D-026RDXPNT01	6321D-026SDSXPWT01	6321D-026SDSXPNT01		15.24	22.35	23.84	24	21	*
30	6321D-030RDXPWT01	6321D-030RDXPNT01	6321D-030SDSXPWT01	6321D-030SDSXPNT01		17.78	24.89	26.38	21	17	*
34	6321D-034RDXPWT01	6321D-034RDXPNT01	6321D-034SDSXPWT01	6321D-034SDSXPNT01		20.32	27.43	28.92	20	14	*
40	6321D-040RDXPWT01	6321D-040RDXPNT01	6321D-040SDSXPWT01	6321D-040SDSXPNT01		24.13	31.24	32.73	17	12	*
50	6321D-050RDXPWT01	6321D-050RDXPNT01	6321D-050SDSXPWT01	6321D-050SDSXPNT01		30.48	37.59	39.08	14	11	*
60	6321D-060RDXPWT01	6321D-060RDXPNT01	6321D-060SDSXPWT01	6321D-060SDSXPNT01		36.83	43.94	45.43	12	9	*
68	6321D-068RDXPWT01	6321D-068RDXPNT01	6321D-068SDSXPWT01	6321D-068SDSXPNT01		41.91	49.02	50.51	11	8	
80	6321D-080RDXPWT01	6321D-080RDXPNT01	6321D-080SDSXPWT01	6321D-080SDSXPNT01		49.53	56.64	58.13	9	8	
100	6321D-100RDXPWT01	6321D-100RDXPNT01	6321D-100SDSXPWT01	6321D-100SDSXPNT01		62.23	69.34	70.83	8	7	
120	6321D-120RDXPWT01	6321D-120RDXPNT01	6321D-120SDSXPWT01	6321D-120SDSXPNT01		74.93	82.04	85.53	6	7	

Note: * stands for mass production . 注: *代表可量产

Dimensions 尺寸 (R/A DIP)

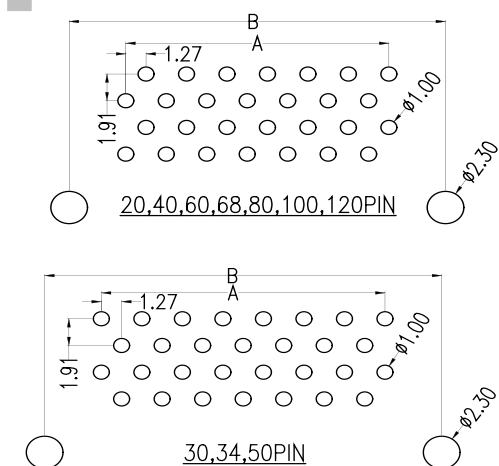


Dimensions 尺寸 (S/T DIP)



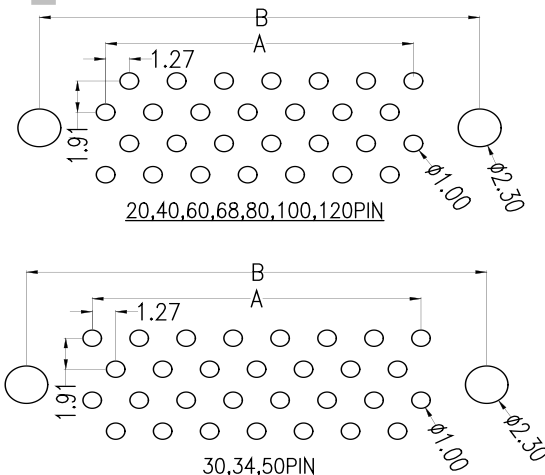
PCB Layout 印刷电路板布局

(Socket)Through-hole type 通孔型 (S/T)



PCB Layout 印刷电路板布局

(Socket)Through-hole type 通孔型 (S/T)



6320D	-	XXX	XX	XX	P	X	X	0X
(1)		(2)	(3)	(4)		(5)	(6)	(7)
(1) Series (系列): 1.27mm SCSI Series				(5) Positioning Method (定位方式): W=W/T Lock、N=W/T Lock				
(2) Positions (位数): 020=20.....120=120P				(6) Packing (包装): T=Tube、R=Reel				
(3) Terminal type (端子形态): RD=R/A DIP、SD=S/T DIP、RZ=R/A&SMT				(7) Running Number (流水码)				
(4) Contact Plating (电镀): S1=3U"Gold/Tin、S2=5U"Gold/Tin								

6321D	-	XXX	XD	XX	P	X	T	01
(1)		(2)	(3)	(4)		(5)	(6)	(7)
(1) Series (系列): 1.27mm SCSI Series				(5) Positioning Method (定位方式): W=W/T Lock、N=W/T Lock				
(2) Positions (位数): 020=20.....120=120P				(6) Packing (包装): T=Tube				
(3) Terminal type (端子形态): RD=R/A DIP、SD=S/T DIP				(7) Running Number (流水码)				
(4) Contact Plating (电镀): S1=3U"Gold/Tin、S2=5U"Gold/Tin								

Contact Us 联系我们

维峰电子股份有限公司 (总部)
WCON ELECTRONICS CO.,LTD(HQ)
地址:广东省东莞市虎门镇大宁文明路15号
Add :No.15,Wenming Road,Danng Community, Humen Town, Dongguan, Guangdong.523930, China

昆山维康电子有限公司
KUNSHAN WCON ELECTRONICIS CO.,LTD(East of China)
地址:江苏昆山千灯镇汶浦中路169号
Add :No.169, WenPu Middle Road, QianDeng Town, Kunshan City, Jiangsu Province, China

合肥维峰电子有限公司
HEFEI WCON ELECTRONICIS CO.,LTD
地址:安徽合肥市高新技术开发区绿城科技园E栋2楼
Add : 2F, Building E, Greentown Science Park,High-tech Development Zone, Hefei, Anhui,China

维康电子(泰国)有限公司
WCON ELECTRONICS (Thailand) CO.,LTD
地址:泰国巴真武里府西玛铺县华瓦区洛加纳工业园
Add: VG3C+H57, Hua Wa, Si Maha Phot District, Prachin Buri 25140, Thailand

销售联系方式 Contacts Information

国际客户部 International sales department
salesdg01@wcon.com
salesdg05@wcon.com

大客户专线 Major customer dedicated department
华南: salesdg28@wcon.com
华东: salesks@wcon.com

中小客户专线 Public Customer hot line
华南: salesdg10@wcon.com
华东: salesks01@wcon.com

网络销售 Online sales department
salesdg26@wcon.com



Official Website



Product e-catalog



WeChat Public#



TikTok Public#