

# HSF

**NOTES:**

Rated Current: 1.5AMP. (20°C, 1\*2P-1\*15P)  
 1.0AMP. (20°C, 1\*16P-1\*50P)  $\triangle A2$

Contact Resistance: 20mΩ Max.  
 Withstand Voltage: 500V AC/DC  
 Insulation Resistance: 1000MΩ Min.  $\triangle A2$

Operation Temperature: -40°C to +125°C (Gold Plating)  
 -40°C to +105°C (Tin Plating)

Contact Material: Copper Alloy  
 Contact Plating: Au or Sn Over 30u" Min Ni  $\triangle A2$   
 Insulator Material: PA9T+G.F UL94V-0 BK  $\triangle A2$

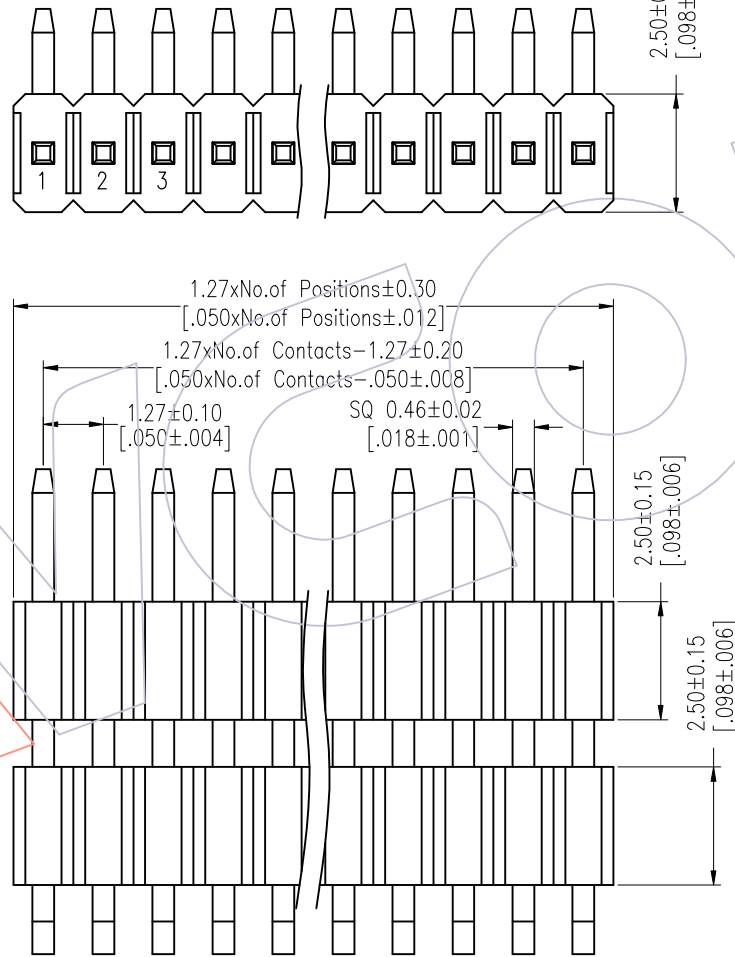
## Ordering Information

1325-2 1 XX XX R XXX C X XX

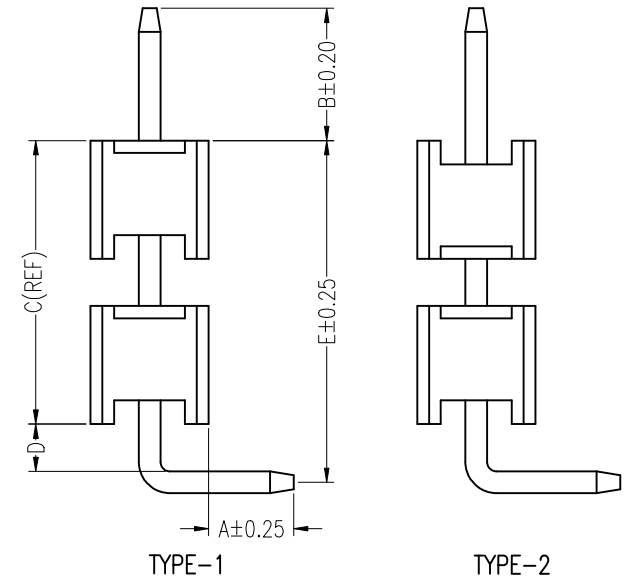
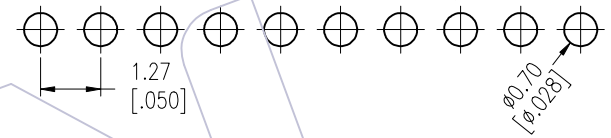
Plastic Layer  
 Plastic Row  
 No. of Pins  
 Per Row: 02~50  
 Contact Plating  
 G0=Gold Flash  
 G3=10u"Au, BG3=8u"PdNi+2u"Au  
 G4=15u"Au, BG4=13u"PdNi+2u"Au  
 G5=30u"Au, BG5=28u"PdNi+2u"Au  
 S0=Gold Flash/Tin  
 S3=10u"Au/Sn, P3=8u"PdNi+2u"Au/Sn  
 S4=15u"Au/Sn, P4=13u"PdNi+2u"Au/Sn  
 S5=30u"Au/Sn, P5=28u"PdNi+2u"Au/Sn  
 SN=Bright Tin  
 SM=Matte Tin

Series No.  
 01-99  
 Packing  
 A=Tray  
 Insulator Material  
 C=PA9T(Standard)  
 Pin Length  
 L(See Table)  
 Type:  
 R=R/A

Item	Pin Length	A	D	C	E	B	Mating
Standard	13.3	3.00	1.0	6.0	7.23	2.0	2321/2320T
	14.3					3.0	2334/2344/2346
	14.8					3.5	2357
	15.8					4.5	2345/2385
Standard	12.3	2.0 (THR)	1.0	6.0	7.23	2.0	2321/2320T
	13.3					3.0	2334/2344/2346
	13.8					3.5	2357
	14.8					4.5	2345/2385
Alternate							



Recommended P.C.B Layout (Top Side)  
 (PCB BOARD TOLERANCE±0.05)  
 (PCB Thickness: T=1.60m)



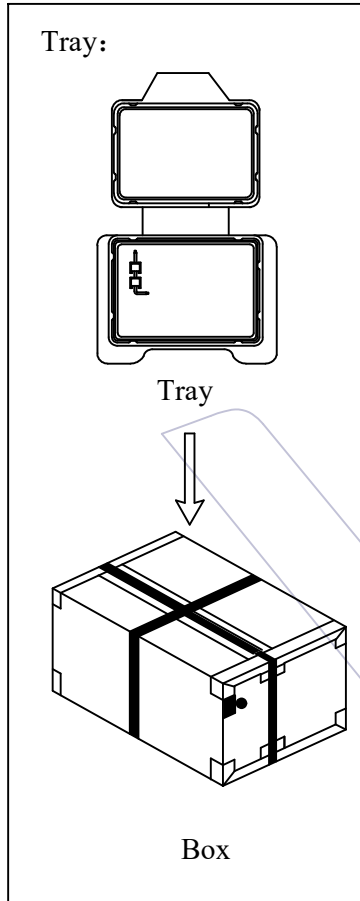
REV	DATE	MODIFICATION DESCRIPTION	CHANGE	OPERATION	DRAW	DATE	SCALE	Fit	PART NO.
A2	2025/09/05	Standardization Drawing	CP	x.X ±0.40	CP	2025/09/05	UNIT	mm [inch]	1325-21XXXXRXXXCXXX $\triangle A2$
A1	2018/01/18	MODIFY PART NO.	William Chen	x.XX ±0.25	CHECK	2025/09/05	SIZE	A4	TITLE: 1.27 Pin Header, SINGLE ROW, R/A, DOUBLE PLASTIC, CONCAVE BENDING, H=2.5
AO	2012/03/31	NEW	William Chen	x.XXX ±0.15	TANG		SHEET	1/2	Customer NO.
				Angle ± 3'	APPROVE	2025/09/05	PROJ.		
				DIM TOL	Steven Zhao				

# WCON

Http: www.wcon.com  
 WCON-Dongguan Tel: +86 769 85358920  
 WCON-Kunshan Tel: +86 512 57468408  
 Fax: +86 769 85358915 Fax: +86 512 57468468  
 E-mail: sales@wcon.com E-mail: salesks@wcon.com

# HSF

Packing:




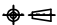
Packaging Quantity Refers To The Following Table

PINS	Q' ty/Tray (12.3 ≤ L ≤ 13.8)	Q' ty/Box
1	1,000	48,000
2	500	24,000
3	300	14,400
4	250	12,000
5	200	9,600
6	150	7,200
7	150	7,200
8	100	4,800
9	100	4,800
10	100	4,800
11	100	4,800
12	70	3,360
13	70	3,360
14	70	3,360
15	70	3,360
16	50	2,400
17	50	2,400
18	50	2,400
19	50	2,400
20	50	2,400
21	50	2,400
22	50	2,400
23	40	1,920
24	40	1,920
25	40	1,920

PINS	Q' ty/Tray (12.3 ≤ L ≤ 13.8)	Q' ty/Box
26	40	1,920
27	40	1,920
28	40	1,920
29	30	1,440
30	30	1,440
31	30	1,440
32	30	1,440
33	30	1,440
34	30	1,440
35	30	1,440
36	30	1,440
37	30	1,440
38	20	960
39	20	960
40	20	960
41	20	960
42	20	960
43	20	960
44	20	960
45	20	960
46	20	960
47	20	960
48	20	960
49	20	960
50	20	960

PINS	Q' ty/Tray (13.8 < L ≤ 15.8)	Q' ty/Box
1	750	36,000
2	350	16,800
3	250	12,000
4	150	7,200
5	150	7,200
6	150	7,200
7	100	4,800
8	100	4,800
9	70	3,360
10	70	3,360
11	70	3,360
12	70	3,360
13	50	2,400
14	50	2,400
15	50	2,400
16	50	2,400
17	40	1,920
18	40	1,920
19	40	1,920
20	40	1,920
21	30	1,440
22	30	1,440
23	30	1,440
24	30	1,440
25	30	1,440

PINS	Q' ty/Tray (13.8 < L ≤ 15.8)	Q' ty/Box
26	30	1,440
27	30	1,440
28	30	1,440
29	30	1,440
30	30	1,440
31	20	960
32	20	960
33	20	960
34	20	960
35	20	960
36	20	960
37	20	960
38	20	960
39	20	960
40	20	960
41	20	960
42	20	960
43	20	960
44	20	960
45	20	960
46	20	960
47	20	960
48	20	960
49	20	960
50	20	960

REV	DATE	MODIFICATION DESCRIPTION	CHANGE	OPERATION	DRAW	DATE	SCALE	Fit	PART NO.	 <a href="http://www.wcon.com">Http: www.wcon.com</a> WCON-Dongguan Tel: +86 769 85358920 WCON-Kunshan Tel: +86 512 57468408 Fax: +86 769 85358915 Fax: +86 512 57468468 E-mail: sales@wcon.com E-mail: sales@wcon.com
A2	2025/09/05	Standardization Drawing	CP	x.X ±0.40	CP	2025/09/05	UNIT	mm [inch]	1325-21XXXXRXXXCXXX 	
A1	2018/01/18	MODIFY PART NO.	William Chen	x.xx ±0.25	CHECK	DATE	SIZE	A4	TITLE:	
AO	2012/03/31	NEW	William Chen	x.xxx ±0.15	TANG	2025/09/05	SHEET	2/2	1.27 Pin Header, SINGLE ROW, R/A, DOUBLE PLASTIC, CONCAVE BENDING, H=2.5	
				Angle ± 3'	APPROVE	DATE	PROJ.		Customer NO.	
				DIM TOL	Steven Zhao	2025/09/05				