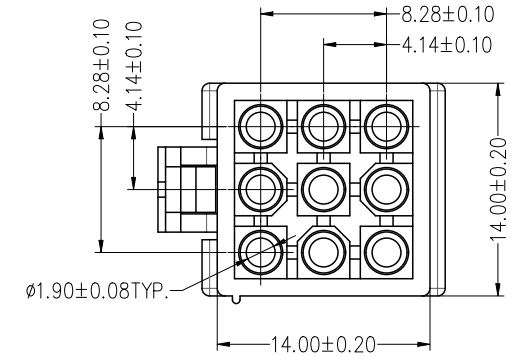
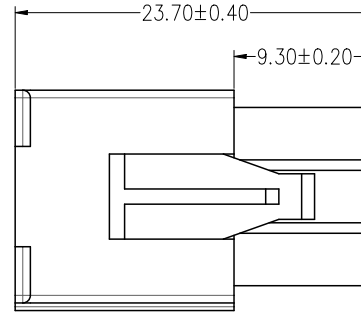
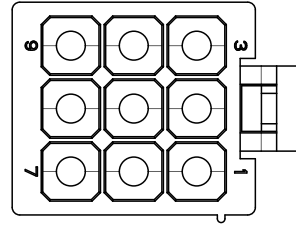


# HSF

NOTES:  
 Withstand Voltage: AC 1500V  
 Insulation Resistance: 1000MΩ/DC 500V  
 Operation Temperature: -40°C to +105°C

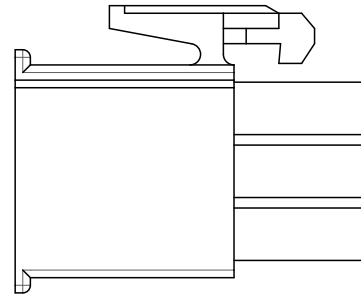
Insulator Material: PA66 UL94V-0



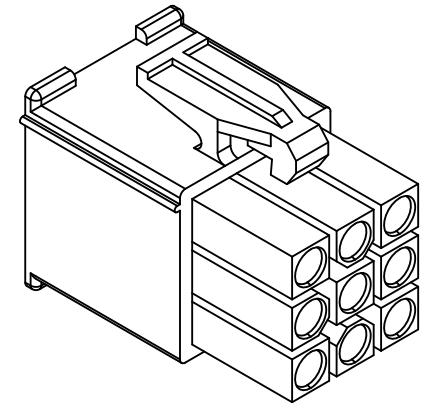
## Ordering Information


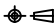
WF4141 - 3 H XX W 0 1

No. of Row three Row  
 Housing(Female)  
 No. of pins  
 03=3X03PIN  
 04=3X04PIN  
 05=3X05PIN  
 Wcon Internal Code  
 Package  
 0=PE bag  
 Colour  
 W=White

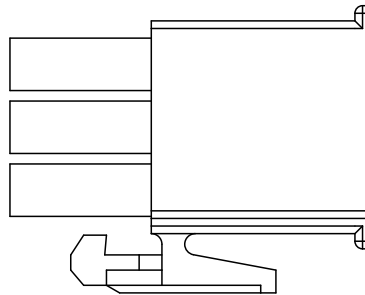
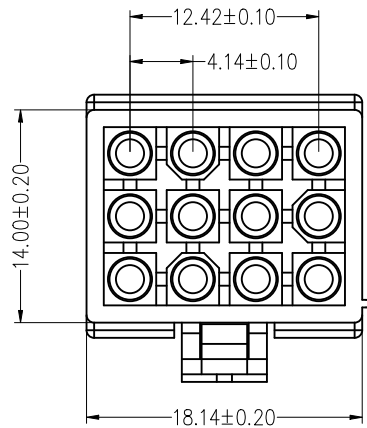


3X3PIN

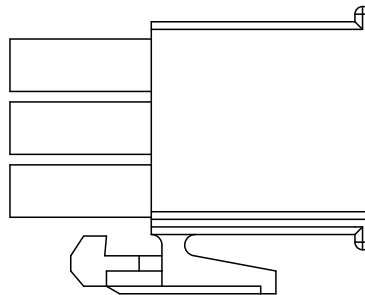
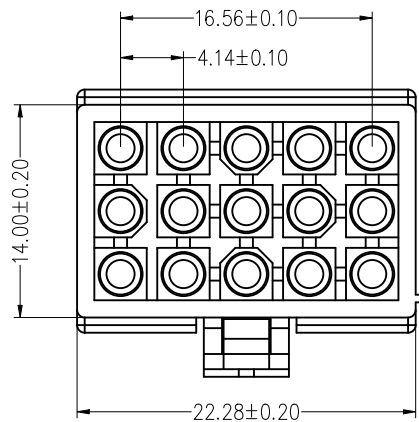
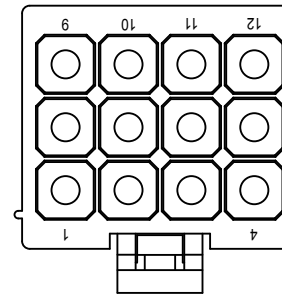


				OPERATION		DRAW Morris	DATE	SCALE	FIT	PART NO. WF4141-3HXXW01	 <a href="http://www.wcon.com">Http: www.wcon.com</a> WCON-Dongguan      WCON-Kunshan Tel: +86 769 85358920      Tel: +86 512 57468408 Fax: +86 769 85358915      Fax: +86 512 57468468 E-mail: sales@wcon.com      E-mail: salesks@wcon.com
				X.X	±0.30		2022/11/18	UNIT	mm		
				X.XX	±0.25		DATE	SIZE	A4	4.14mm Housing, "T" Type, Three Row, W/T Lock	
A0	2022/11/18	NEW	---	X.XXX	±0.15	APPROVE	SHEET	1/2	Customer NO.		
REV	DATE	MODIFICATION DESCRIPTION	CHANGE	Angle	±3'		PROJ.				
				DIM	TOL						

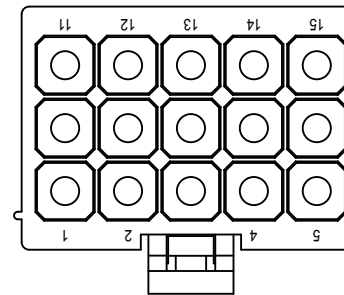
**HSF**



3X4PIN



3X5PIN



				OPERATION	DRAW	DATE	SCALE	FIT	PART NO.
				X.X ±0.30	Morris	2022/11/18	UNIT	mm	WF4141-3HXXW01
				X.XX ±0.25	CHECK	DATE	SIZE	A4	TITLE:
A0	2022/11/18	NEW	---	X.XXX ±0.15	APPROVE	DATE	SHEET	2/2	4.14mm Housing, "T" Type, Three Row, W/T Lock
REV	DATE	MODIFICATION DESCRIPTION	CHANGE	Angle ±3°			PROJ.	⚡	Customer NO.
				DIM TOL					

**WCON**

Http: [www.wcon.com](http://www.wcon.com)

WCON-Dongguan	WCON-Kunshan
Tel: +86 769 85358920	Tel: +86 512 57468408
Fax: +86 769 85358915	Fax: +86 512 57468468
E-mail: <a href="mailto:sales@wcon.com">sales@wcon.com</a>	E-mail: <a href="mailto:salesks@wcon.com">salesks@wcon.com</a>