

HSF

NOTES:
 Withstand Voltage: AC 1500V
 Insulation Resistance: 1000MΩ/DC 500V
 Operation Temperature: -40°C to +105°C

Insulator Material: PA66 UL94V-0

Ordering Information

WF4141 - 1 H XX W 0 1

No. of Row
Single Row

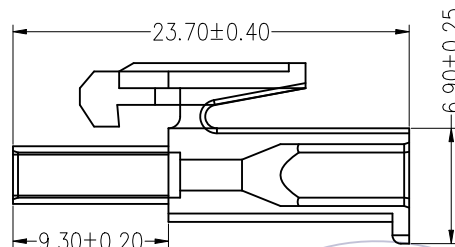
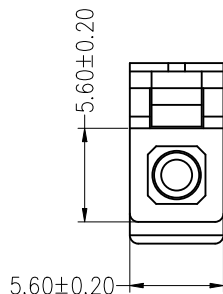
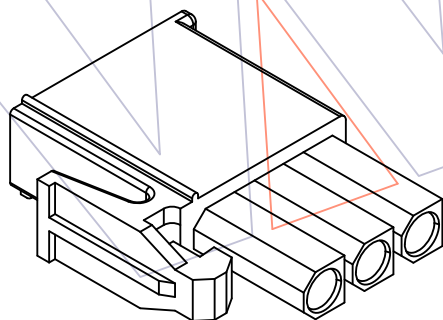
Housing(Female)

No. of pins
 01=01PIN
 02=02PIN
 03=03PIN

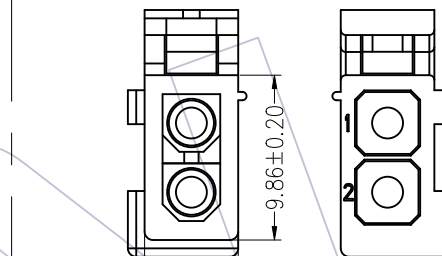
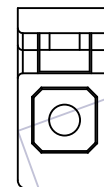
Wcon Internal Code

Package
0=PE bag

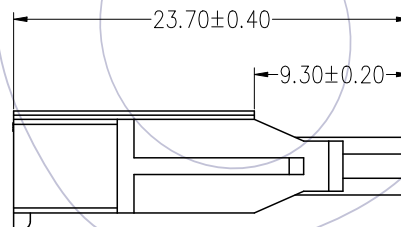
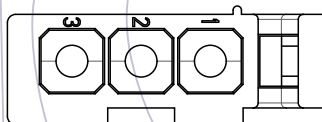
Colour
W=White



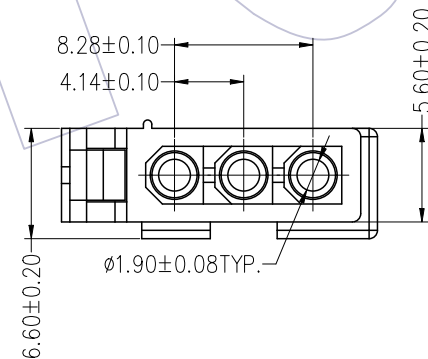
1X1PIN



1X2PIN



1X3PIN



				OPERATION	DRAW	DATE	SCALE	FIT	PART NO.
				x.x ±0.30	Morris	2022/11/18	UNIT	mm	WF4141-1HXXW01
				x.xx ±0.25	CHECK	DATE	SIZE	A4	TITLE:
A0	2022/11/18	NEW	---	x.xxx ±0.15	APPROVE	DATE	SHEET	1/1	4.14mm Housing, "T" Type, Single Row, W/T Lock
REV	DATE	MODIFICATION DESCRIPTION	CHANGE	Angle ±3'			PROJ.	⚡	Customer NO.
				DIM TOL					

WCON
 Http: www.wcon.com

WCON-Dongguan WCON-Kunshan
 Tel: +86 769 85358920 Tel: +86 512 57468408
 Fax: +86 769 85358915 Fax: +86 512 57468468
 E-mail: sales@wcon.com E-mail: salesks@wcon.com